

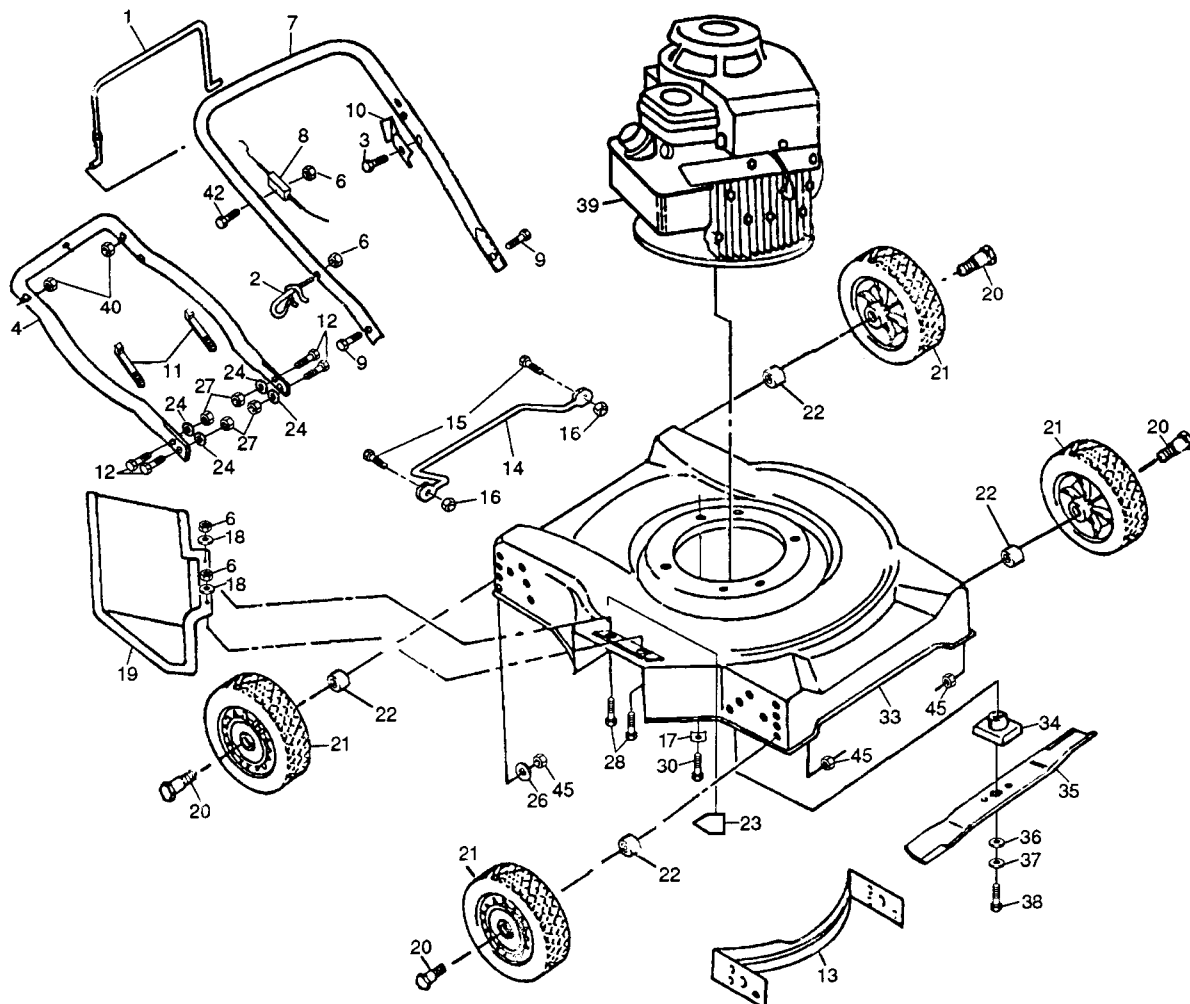


Prod.No: 954 06 77-02

Engine: B & S 95902 Type: 3108 Trim: 02

SPAREPARTS

107 25 13-66



* These parts must be purchased through an authorized Briggs & Stratton dealer.

Ref. No.	Part.No.	Description	Ref. No.	Part.No.	Description
1	532 08 69-02	Control Bar	24	532 05 56-11	Washer
2	532 13 20-01	Rope Guide	26	532 06 15-37	Washer
3	817 02 10-08	Hex Washer Head Self-tapping Screw #10-24 x 1/2	27	532 13 20-10	Flange Locknut 3/8-16
4	532 12 54-63	Lower Handle	28	874 76 04-12	Hex Head Bolt 1/4-20 x 3/4
6	873 68 04-00	Locknut 1/4-20	30	532 85 09-98	Hex Head Thread Rolling Screw 3/8-16 x 1
7	532 12 54-64	Upper Handle	33	532 14 58-88	Housing
8	532 85 18-09	Engine Zone Control Cable	34	532 85 09-77	Blade Adapter
9	874 78 04-24	Hex Head Bolt 1/4-20 x 1-1/2	35	532 85 09-72	Blade 20"
10	532 12 51-62	Up-Stop Bracket	36	532 85 10-74	Washer (Hardened)
11	532 06 64-26	Wire Tie	37	532 85 02-63	Helical Lock Washer
12	874 78 06-16	Hex Head Bolt 3/8-16 x 1	38	532 85 10-84	Hex Head Machine Screw 3/8-24 x 1-3/8 Gr. 8
13	532 14 15-19	Front Baffle	39	-----	Engine, Briggs & Stratton *
14	532 80 15-42	Foot Guard	40	873 22 04-00	Hex Nut 1/4-20
15	532 08 58-25	Screw	42	874 78 04-24	Machine Screw 1/4-20 x 1-1/2
16	532 06 91-80	Nut	45	873 68 06-00	Locknut 5/8-16
17	532 12 50-78	Engine Washer	--	532 14 58-48	Operator's Manual (Scand.)
18	532 05 38-47	Flat Washer	--	532 14 58-57	Operator's Manual (Euro.)
19	532 75 20-52	Discharge Guard			
20	532 06 76-09	Shoulder Bolt			
21	532 80 00-60	Wheel Assembly			
22	532 13 66-24	Spacer Washer			